

DESCRIPTION:

AMC MODEL NUMBER AGH-8018-H327058 IS A VARIABLE ATTENUATOR DESIGNED FOR THE 8.5 GHz TO 11 GHz FREQUENCY BAND WITH 60 dB ATTENUATION RANGE, 2.3 dB INSERTION LOSS, AND A VSWR OF 1.8:1.

SPECIFICATIONS:

- FREQUENCY: 8.5 GHz TO 11 GHz
- ATTENUATION RANGE: 60 dB MAXIMUM
- ATTENUATION FLATNESS: 10 dB: 0.7
20 dB: 1
40 dB: 1.5
60 dB: 1.6
- BIAS CURRENT ATTENUATION: 50 mA
- INSERTION LOSS: 2.3 dB MAXIMUM
- RF INPUT POWER: 20 dBm
- SPURIOUS RESPONSE: -126 dBc
- SWITCHING SPEED: RISE TIME: 50 nS MAXIMUM
FALL TIME: 10 nS MAXIMUM
- VOLTAGE CONTROL: -2.0 VDC
- PORT POLARITY
- VSWR: 1.8:1
- RF INPUT POWER: +30 dBm CW MINIMUM
- MONOTONICITY: GUARANTEED
- PHASE SHIFT: SHALL NOT EXCEED 100 DEGREES
- PHASE LINEARITY: ±0.25 DEGREES

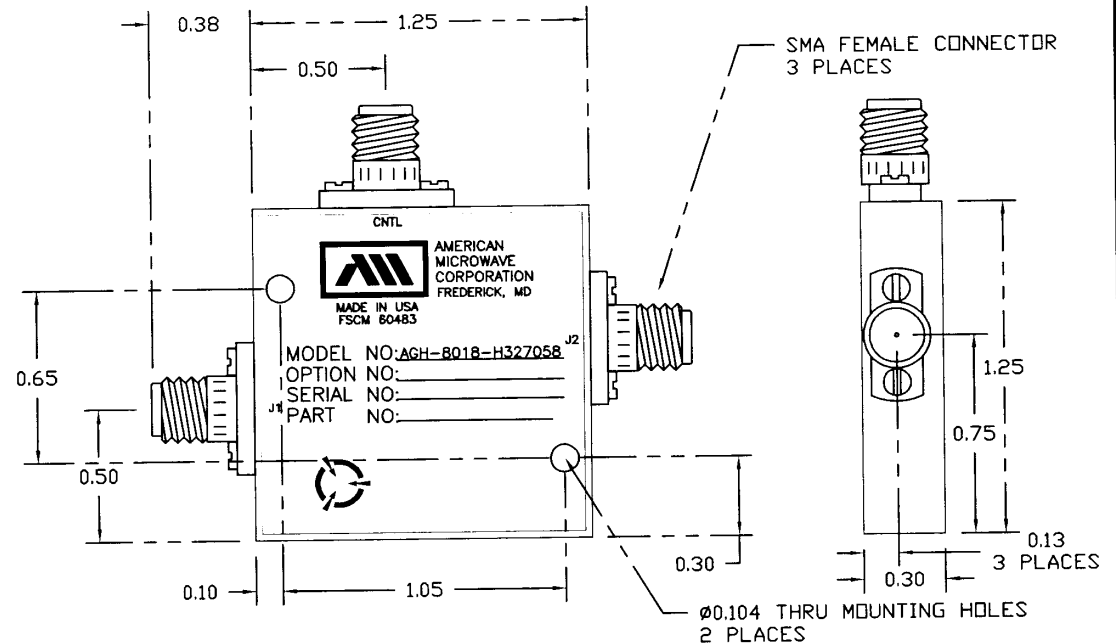
ENVIRONMENTAL RATINGS:

- TEMPERATURE: +25°C TO +55°C (OPERATING)
+25°C TO +55°C (STORAGE)
- HUMIDITY: MIL-STD-202F, METHOD 103B COND. B
- SHOCK: MIL-STD-202F, METHOD 213B COND. B
- VIBRATION: MIL-STD-202F, METHOD 204D COND. B
- ALTITUDE: MIL-STD-202F, METHOD 105C COND. B
- TEMPERATURE CYCLE: MIL-STD-202F, METHOD 107D COND. A

NOTE: THE ABOVE SPECIFICATIONS ARE SUBJECT TO CHANGE OR REVISION

REVISIONS				
ZONE	REV.	DESCRIPTION	DATE	APPROVED
	-	ORIGINAL RELEASE, JOB# 309182E	11/19/09	

MECHANICAL OUTLINE



CONFIDENTIAL AND PROPRIETARY

APPROVALS		DATE	AMERICAN MICROWAVE CORPORATION FREDERICK, MARYLAND	
DRAWN		11/19/09	TITLE	
CHECKED			PRODUCT FEATURE	
ISSUED			AGH-8018-H327058	
SIZE	FSCM NO.	DWG NO.	REV.	
A	60483	100-6778	-	
SCALE N:S			SHEET 1 of 3	

ALL DIMENSIONS ARE IN INCHES
TOLERANCES:
X.XX ±0.010
X.XXX ±0.005